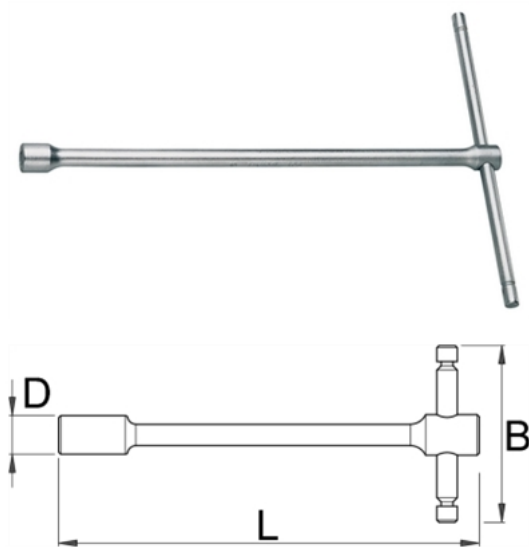


Socket wrench with T-handle - 196/2



Description

- material: chrome vanadium
- entirely hardened and tempered
- surface finish: chrome plated according to EN12540

Technical Data

Barcode	UNIOR	D	B	L	Weight	Material	Length	...
602075	8	12.5	165	235	149	4A	10	-
602076	10	15	180	260	239	4A	10	-
605000	11	16	180	260	233	4A	10	-
605001	12	18	180	260	303	4A	10	-
602077	13	19.2	180	260	307	4A	10	-
605002	14	20.2	180	260	311	4A	10	-
602078	17	24	220	285	499	4A	5	-

Packaging data

Barcode	UNIOR	Retail tool packaging				Transport package				
		A	B	C	Weight	Material	A1	B1	C1	Weight
602075	8	290	44	14,5	156	4	70	297	44	699
602076	10	310	44	17	246	4	70	297	44	1059
605000	11	310	44	17,5	240	4	70	297	44	1035
605001	12	310	44	20	310	4	74	327	44	1315
602077	13	310	44	21,5	314	4	74	327	44	1331
605002	14	310	44	22,5	318	4	74	327	44	1347
602078	17	340	44	25,5	506	4	74	327	44	2099